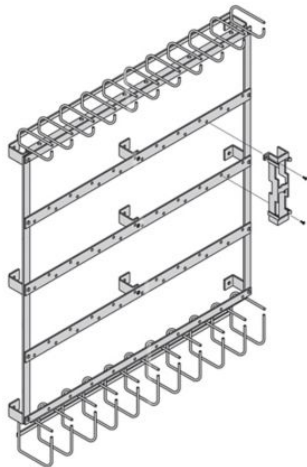


Eaton SB7200210AYZ

Catalog Number: SB7200210AYZ

Eaton B-Line series wall mount cross connect frame, 20" height, 39.125" L, 39.125" W, Support 66M-type quick connect blocks, Steel, A569 and A36 Steel frame yellow zinc, Nylon block stand off bracket, Wall mounted cross connect frame



General specifications

Product Name	Catalog Number
Eaton B-Line series wall mount cross connect frame	SB7200210AYZ
	UPC
	799038034629
Product Length/Depth	Product Height
39.125 in	20 in
Product Width	Product Weight
39.125 in	33 lb
Certifications	
Not Applicable	

Product specifications

Type

Wall mounted cross connect frame

Material

Steel

Application

Support 66M-type quick connect blocks

Resources

Catalogs

[Distribution frames section of the Datacomm catalog](#)

Specifications and datasheets

[Eaton Specification Sheet - SB7200210AYZ](#)



Eaton Corporation plc
Eaton House
30 Pembroke Road
Dublin 4, Ireland
Eaton.com
© 2023 Eaton. All Rights Reserved.

Eaton is a registered trademark.

All other trademarks are property of their respective owners.



[Eaton.com/socialmedia](https://www.eaton.com/socialmedia)